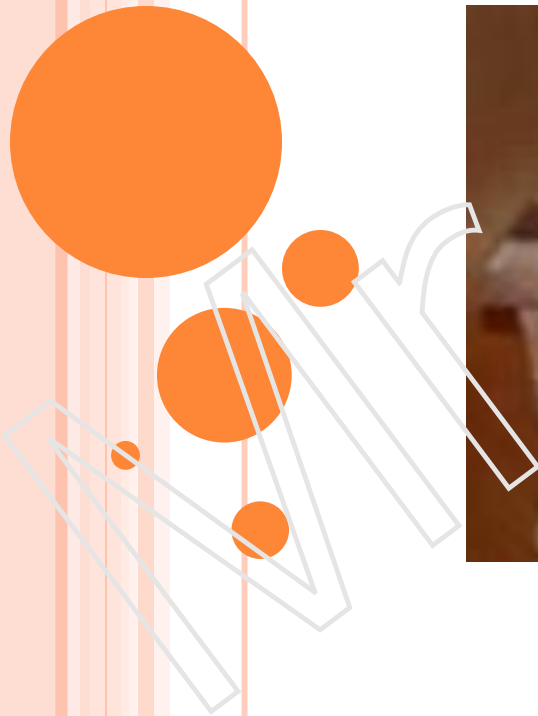


# TREASURE CHEST PROJECT



# THE DESIGN PROCESS



# BRIEF

*“People often have a collection of items which are of value to them, their own 'treasure'. Often these items are kept in containers such as shoe boxes and biscuit tins which do not reflect the importance of the items to the person”*

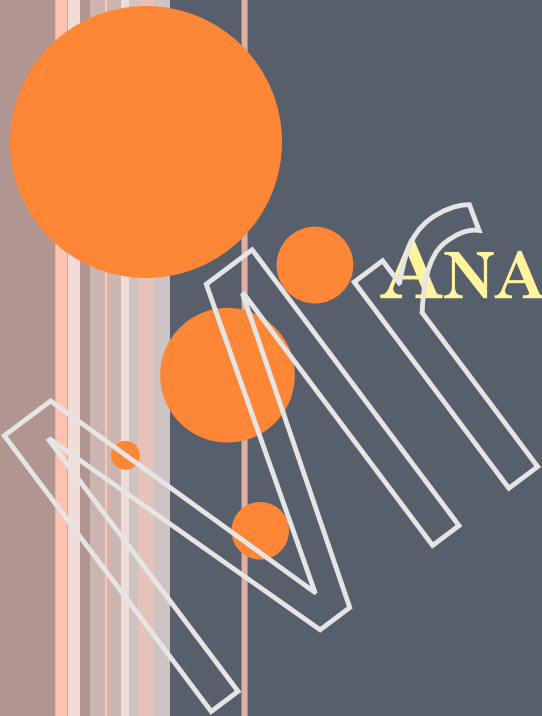
Design and make a container suitable to hold such items of importance. The container should have a closed top, be decorative and include some form of embellishment/ornamentation. The finished design must:

1. Include box dovetail joints
2. Have decoration that reflects what is to be kept in the chest
3. Base may not exceed 220mm x 220mm
4. Depth of box must not exceed 70mm
5. Marquetry must be used



# LEAD

## ANALYSIS OF BRIEF



# KEY WORDS AND DEFINITIONS

## **Design:**

- Design is the way we solve problems and find the best solution to them

## **Decorate:**

- To enhance the appearance of something; adorn

## **Embellish:**

- To beautify; adorn

## **Marquetry:**

- Inlaid work of variously coloured woods or other materials, esp. in furniture.



# KEY CONSIDERATIONS

- A container must be designed to hold important items
- It must have a closed top
- It must be visually appealing
- It must be decorated to enhance its visual appeal
- Include box dovetail joints
- Have decoration that reflects what is to be kept in the chest
- Base may not exceed 220mm x 220mm
- Depth of box must not exceed 70mm
- Marquetry must be used



# RESEARCH AND INVESTIGATION

- Investigation and research was completed to gain information and knowledge on possible solutions to the design problem.
- This information and knowledge helped us to develop ideas for our own design.
- We looked up pictures on the internet and measured the sizes of the items we wanted to keep in our treasure chests



# DEVELOPMENT OF DESIGN IDEAS



We made sketches of ideas...



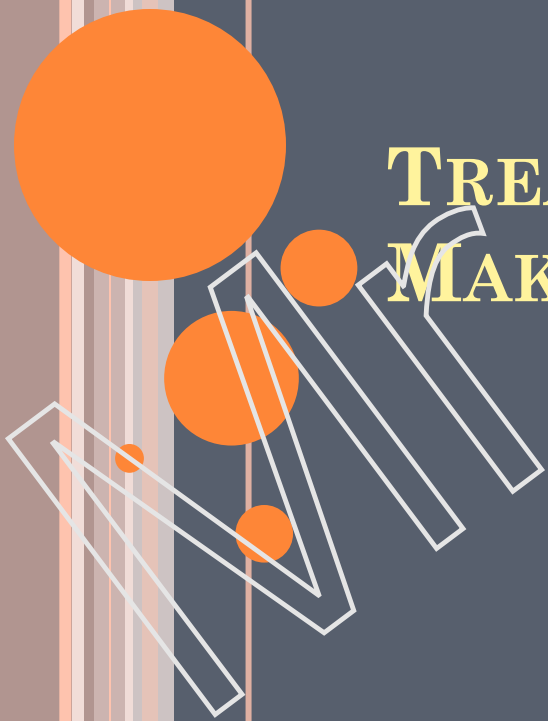
CHOICE OF SOLUTION:

*What did you come up  
with?*



ready

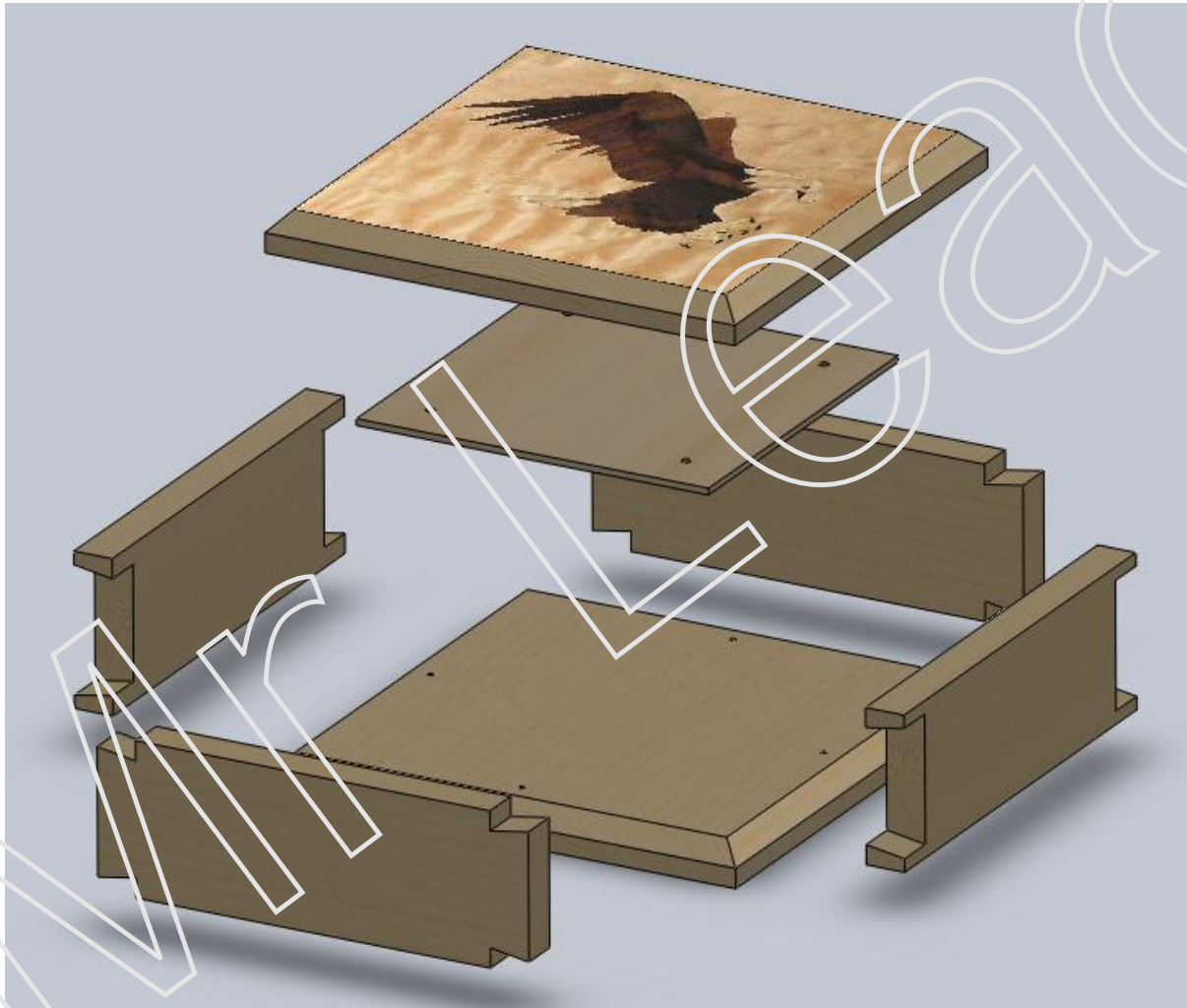
TREASURE CHEST WE WILL  
MAKE



# OUR PROJECT

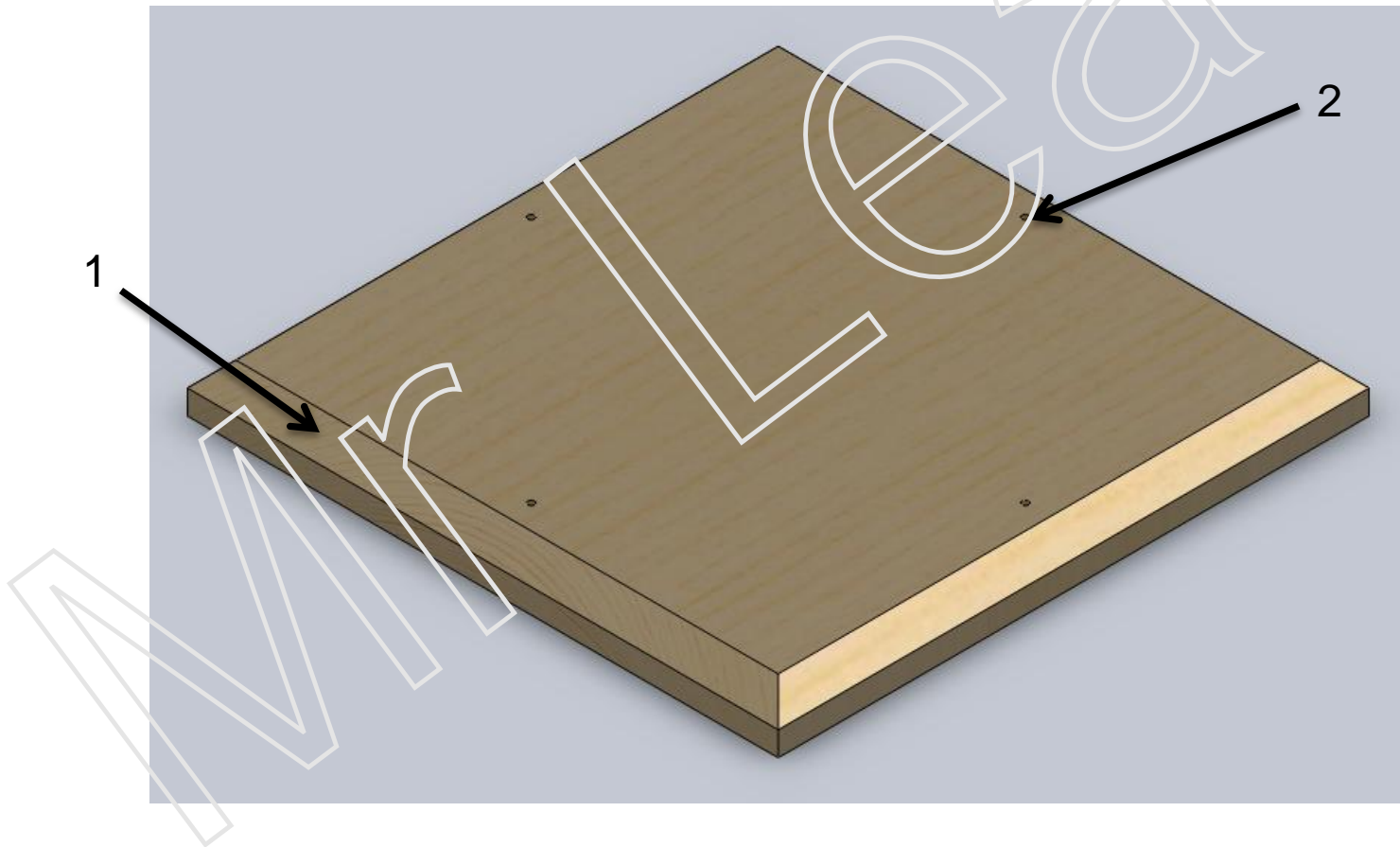


# OUR PROJECT



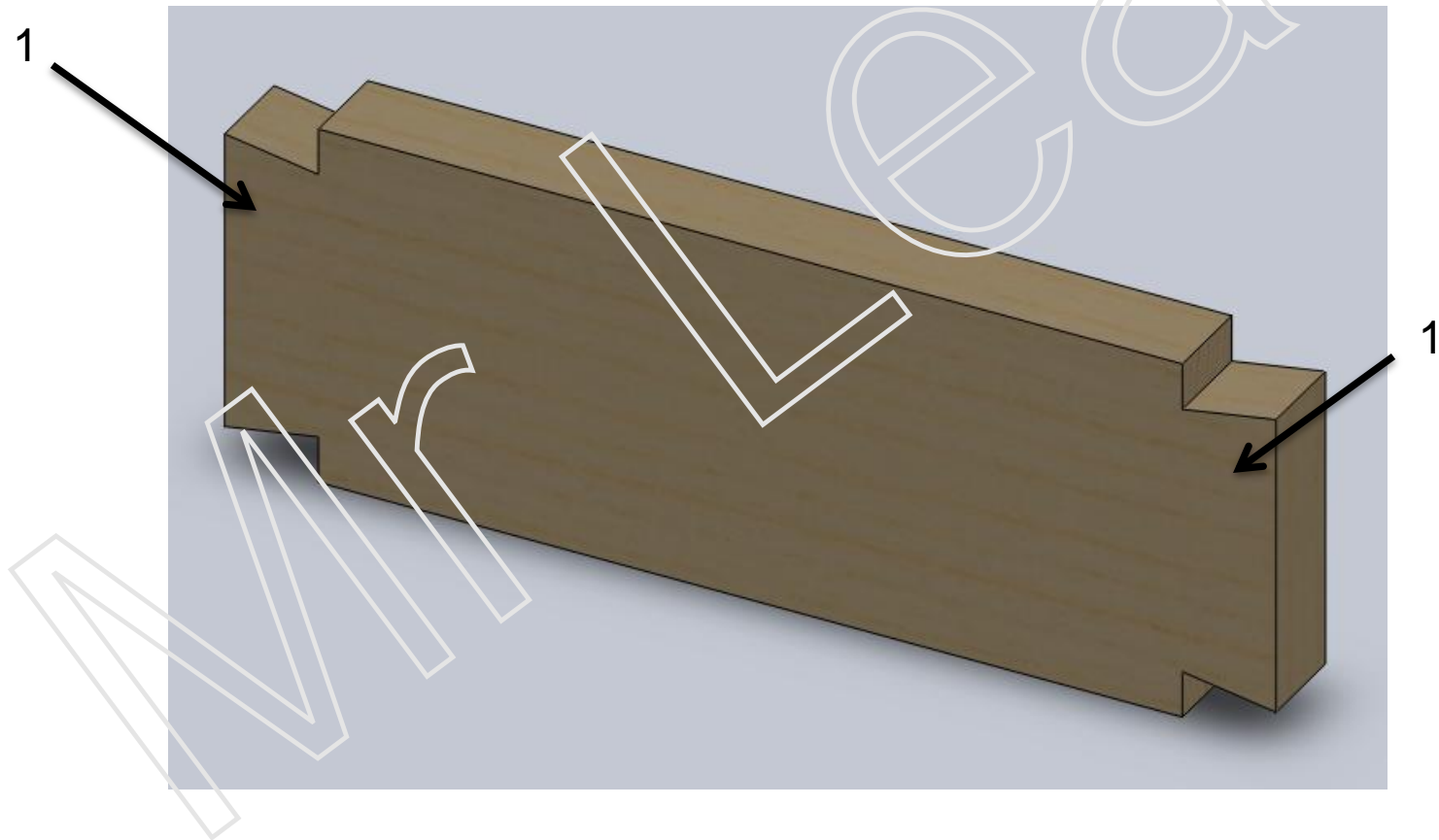
# BASE

1. Chamfered edges with plane
2. Holes drilled for screws to join to the sides



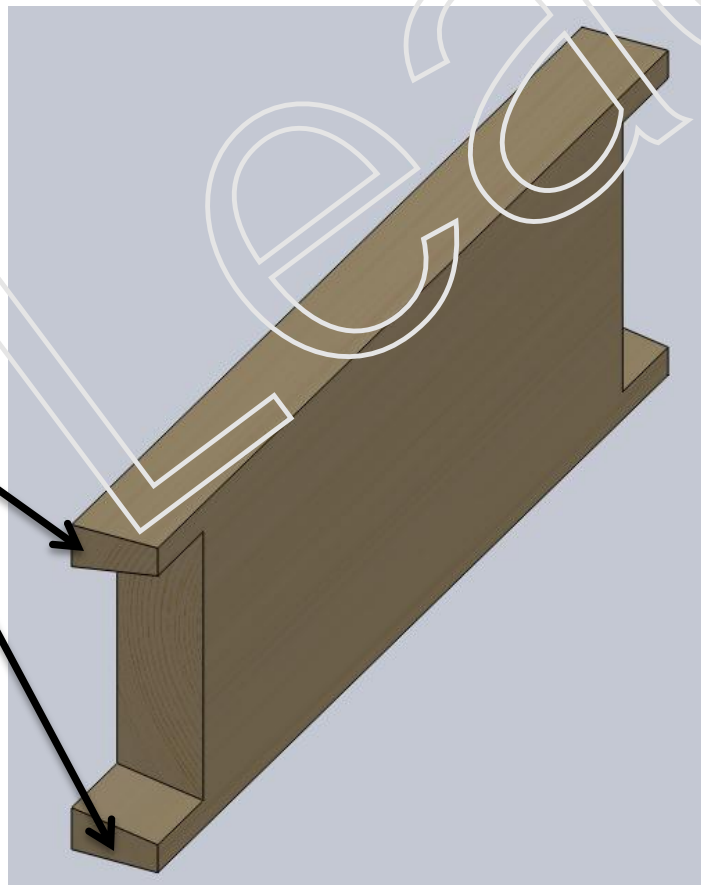
# DOVETAIL TAILS SIDES (X2)

1. 2 large dovetail tails on either end of this piece



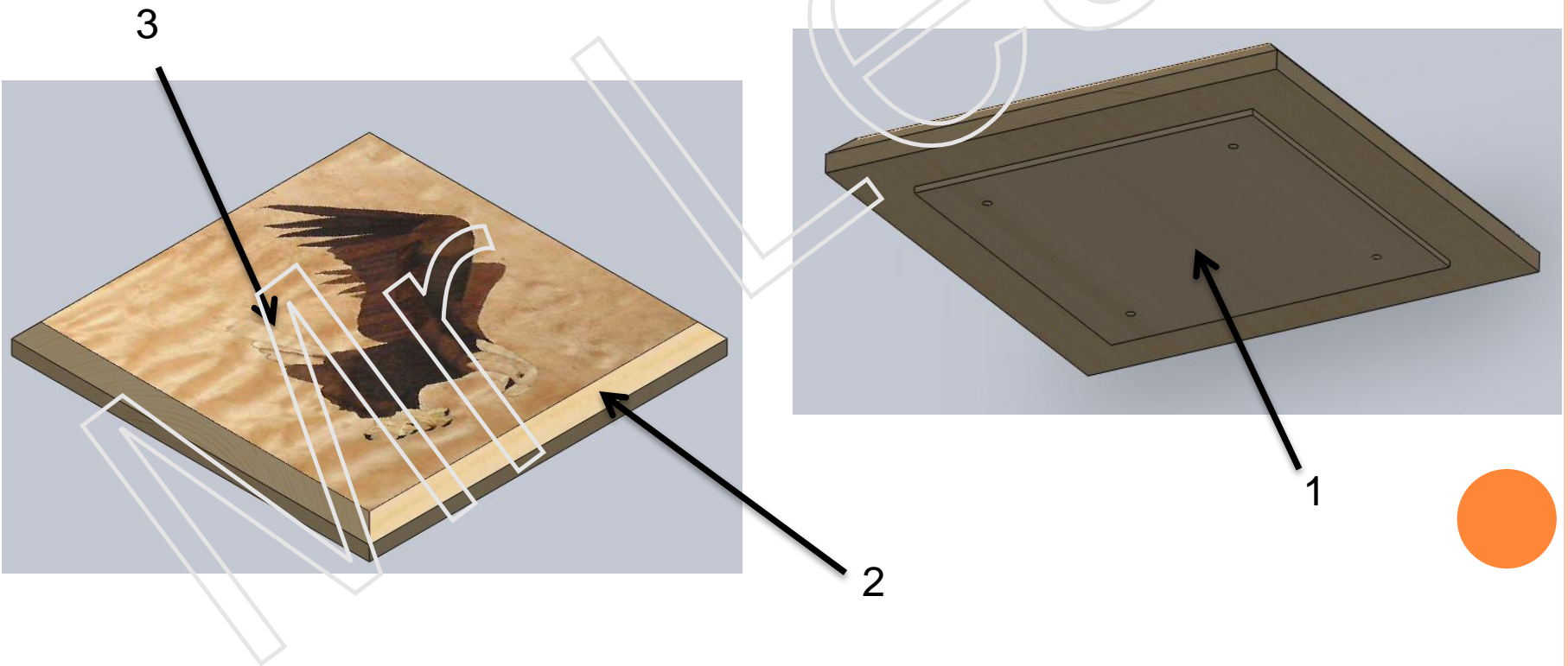
# DOVETAIL PINS SIDES (X2)

1. Each end contains the pins that the tails will fit into



# TOP

1. Centred on top with a plywood insert screwed to underside of top
2. Chamfered edges with plane
3. Marquetry of picture of choice on top side



# HOW WILL WE MARK THE SIDES OUT?

